



Gazebo

8' X 8' Steel Gazebo with Netting

YJSG-003G

ASSEMBLY INSTRUCTIONS

PRE-ASSEMBLY:



APPROXIMATE ASSEMBLY TIME: 3 HOURS



RECOMMENDED PEOPLE TO ASSEMBLE THIS ITEM: 2

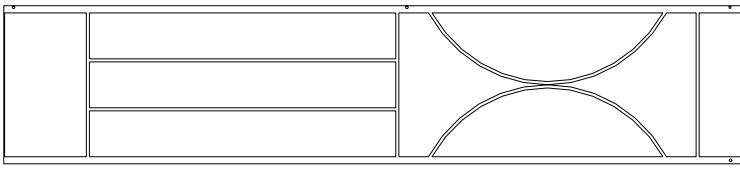
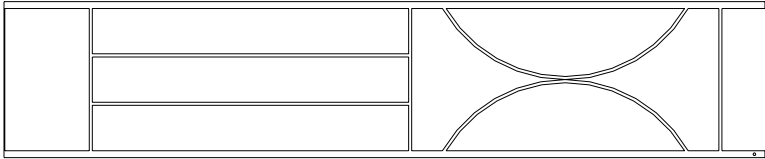
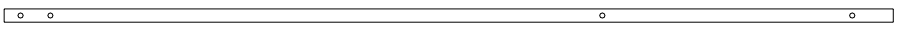
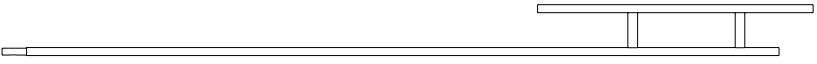
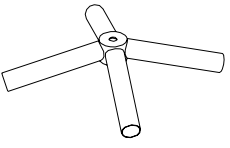
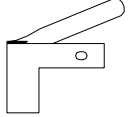
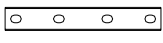

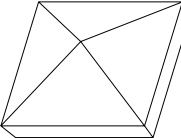
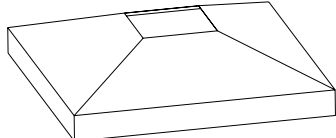
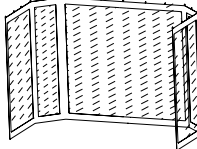
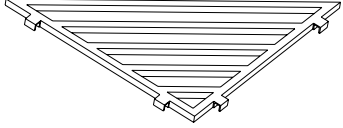






CAUTION:

- Please note that this gazebo is a temporary structure only and it is not designed to withstand inclement weather, snow fall or heavy rain.
- The canopy must be removed if you are expecting high winds or abnormal amounts of rain. The canopy must also be removed if there is any chance of snowfall.
- NO open flame source should be placed under or near the gazebo.
- Please note the canopy is water resistant not waterproof and is not designed to provide shelter from bad weather

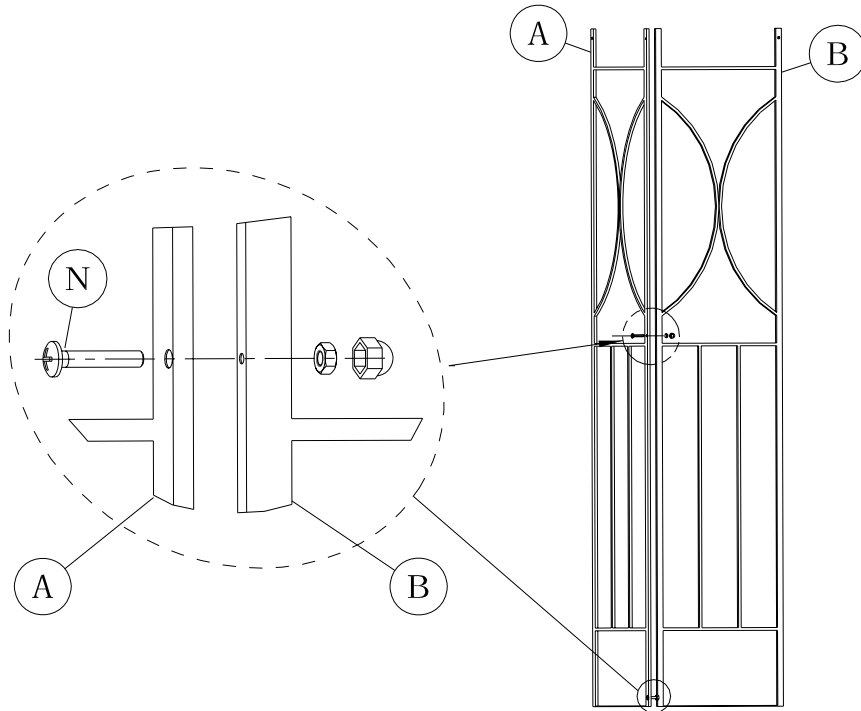
WARRANTY:

MANUFACTURER'S 1 YEAR LIMITED WARRANTY*

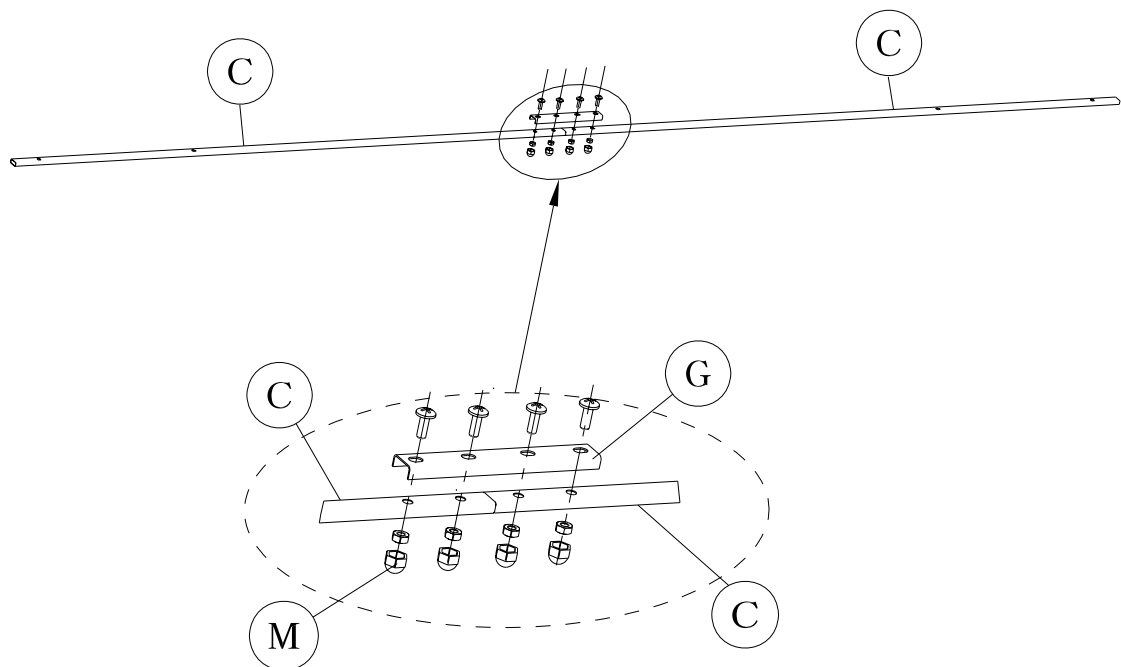
	QTY	DESCRIPTION				NAME	
A	4					Left Panel	
B	4					Right Panel	
C	8					Beam Tube	
D	4					Canopy Spoke	
E	1					Hub	
F	4					Corner Connector	
G	4		Beam Connector	H	8		Bracket
I	1		Small Fabric Cover	J	1		Large Fabric Cover
K	2		Netting	L	4		Triangle Slab
M	40	 M5*16	M5 * 16 Bolt, Nut & Cap	N	12	 M5*34	M5 * 34 Bolt, Nut & Cap
O	16		Ground Spike	P	1	 M5	Wrench

ASSEMBLY INSTRUCTIONS

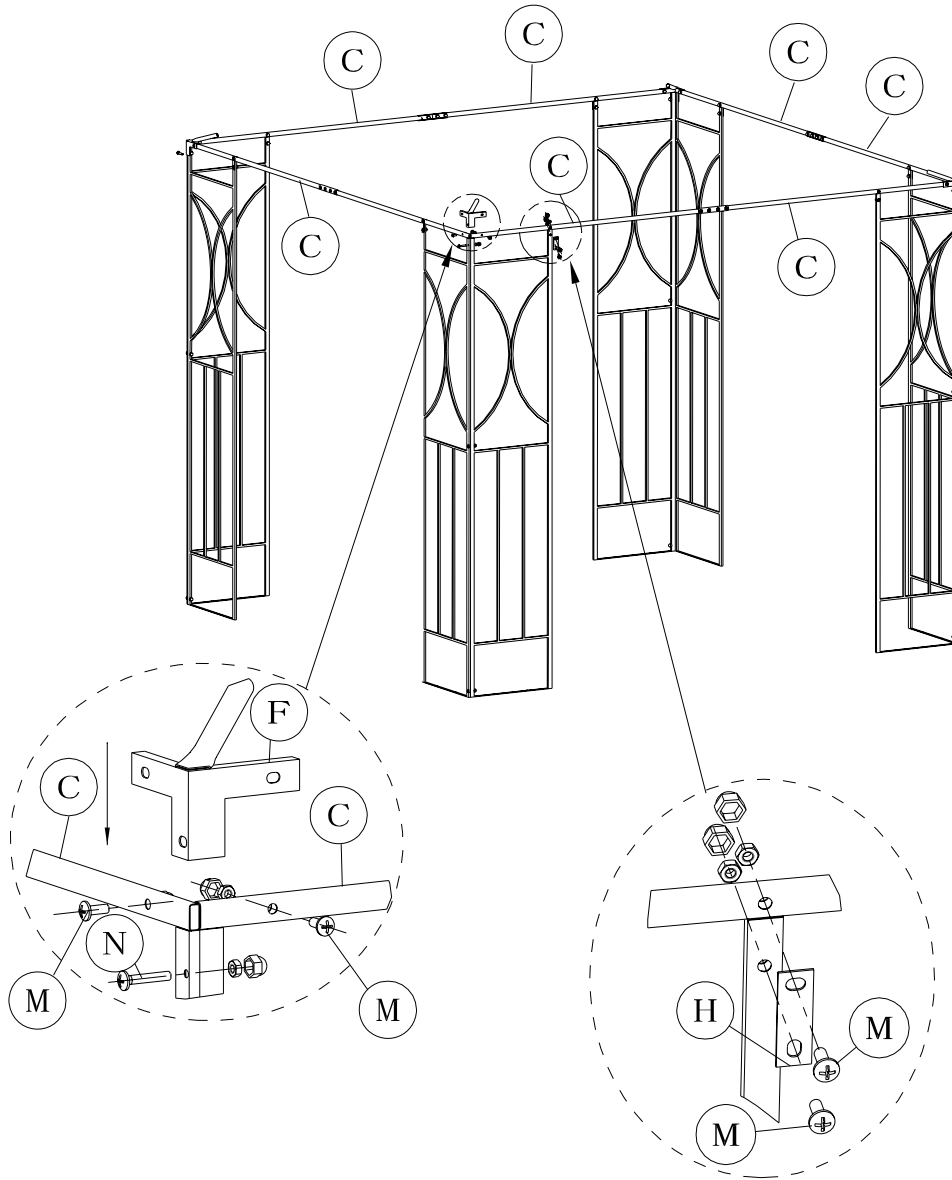
STEP 1: Line up the 2 bolt holes on the bottom and middle of the side tube of the Left Panel (A) with the corresponding bolt holes on the side tube of the Right Panel (B). Fix them together by using 2 M5*34 Bolts (N), and cover the bolts with Nut & Cap. Repeat for the remaining Left Panels (A) and Right Panels (B) 3 times. See the following figure.



STEP 2: Connect the Beam Tubes (C) with the Beam Connector (G). Fix them together by using 4 M5*16 Bolts (M), and cover the bolts with Nut & Cap. Repeat for the remaining Beam Tubes (C) 3 times. See the following figure.

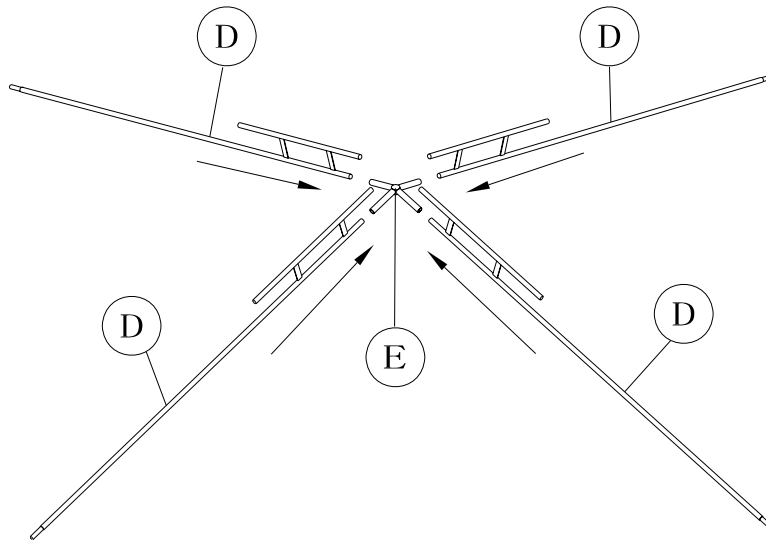


Step 3: Two people should place the connected Beam tubes (C) formed in Step 2 on the top of the connected Panels (A&B) formed in Step 1 and support it. Line up the bolt holes on the Corner Connector (F) respectively with the corresponding bolt holes on the top of the side tube of the connected Panels (A&B) and the corresponding bolt holes on the ends of the connected Beam Tubes (C). Then fix them together by using 1 M5*34 Bolt (N) and 2 M5*16 Bolts (M), and cover the bolts with Nut & Cap. Repeat for the remaining Corner Connectors (F) connected Beam Tubes (C) and connected Panels (A&B) 3 times. See the following figure.

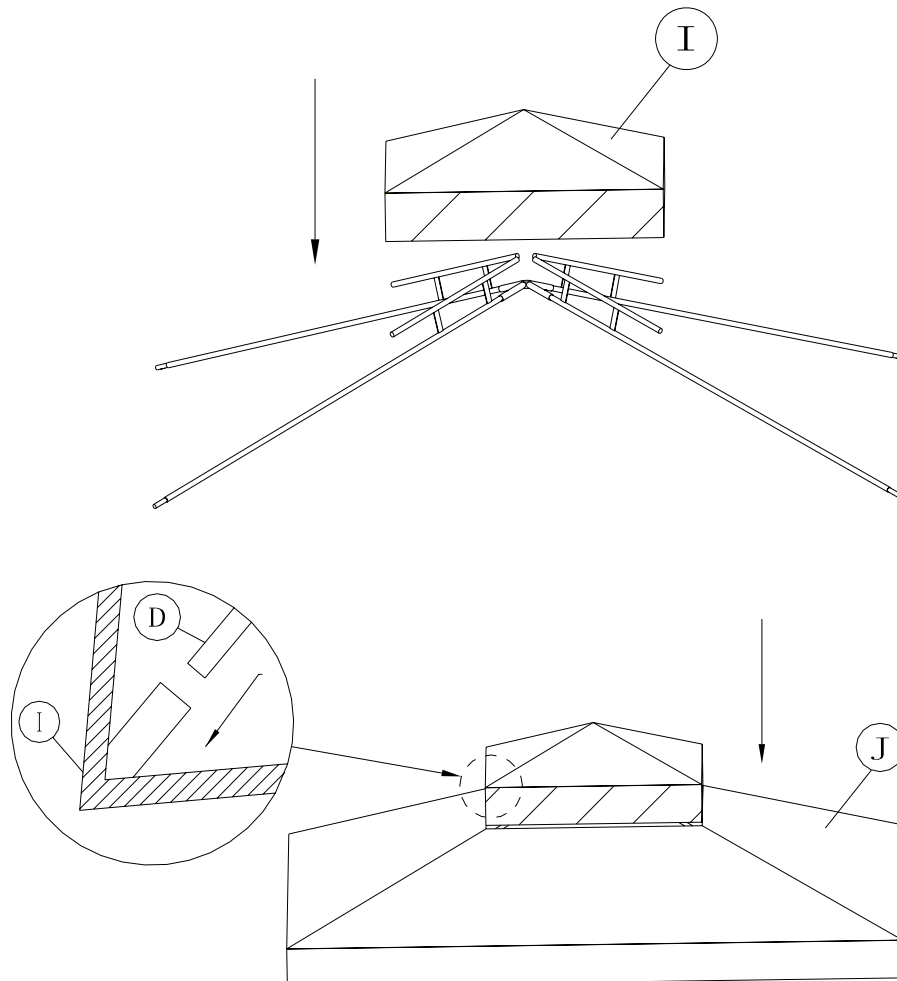


Step 4: Line up the bolt holes on the Bracket (H) respectively with the corresponding bolt holes on the connected Beam Tubes (C) and the side tube of the Panels (A&B). Fix them together by using 2 M5*16 Bolts (M), and cover the bolts with Nut & Cap. Repeat for the remaining Brackets (H) 7 times. See the above figure.

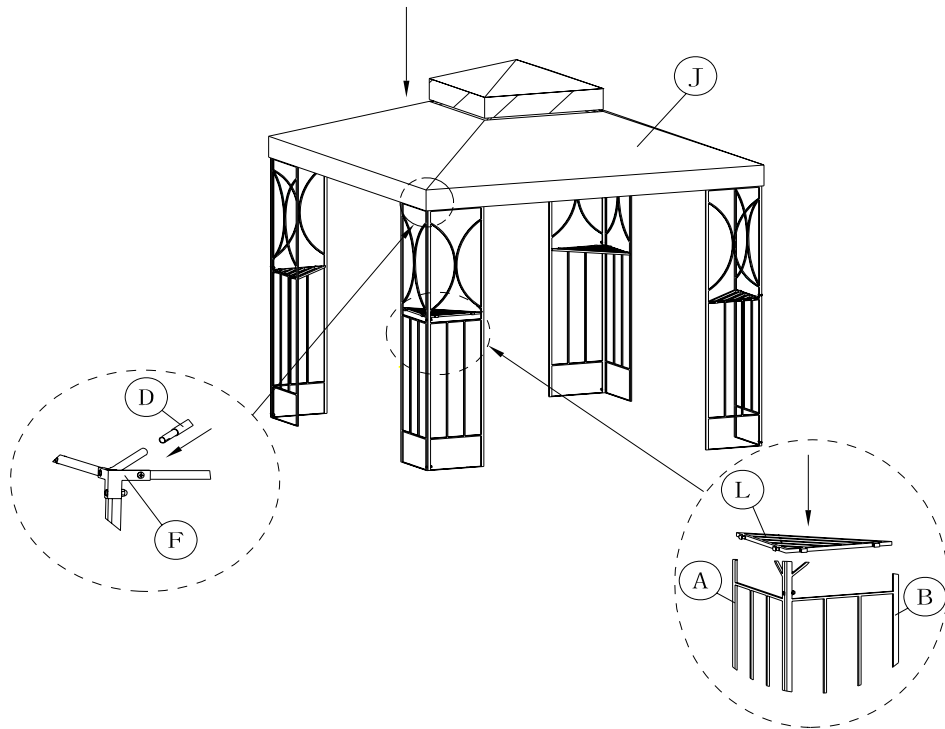
Step 5: Insert all the Canopy Spokes (D) into the Hub (E). Make sure all the snap buttons are in place. See the following figure.



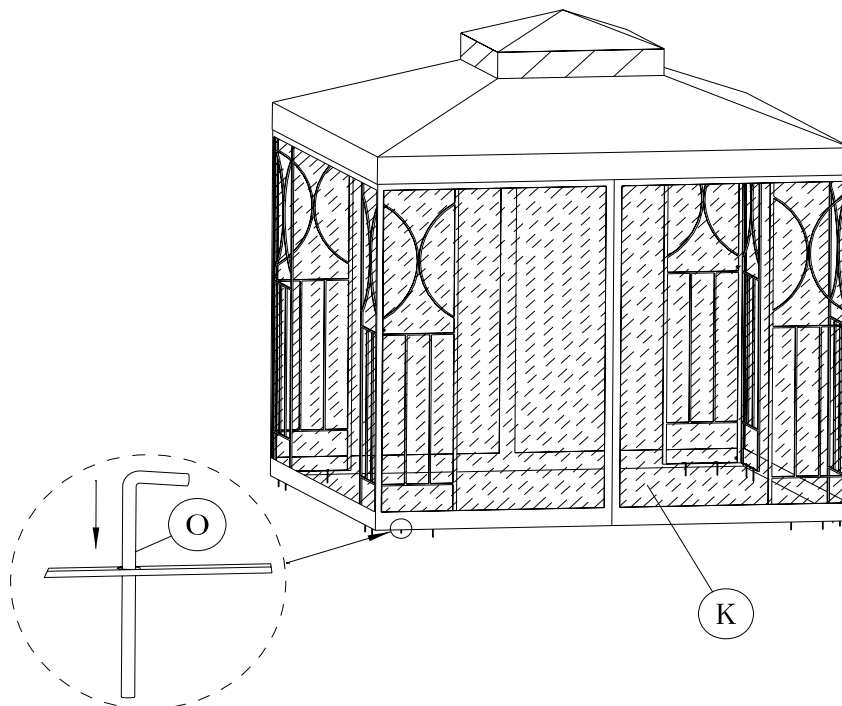
Step 6: Install the Fabric Covers (I & J) on the Canopy Spokes (D), pull the pouches on the Small Fabric Cover (I) onto the ends of the short tubes of the Canopy Spokes (D). See the following figure.



Step 7: Place the roof structure formed in Step 6 on top of the frame structure formed in Step 4. Insert all the Canopy Spokes (D) into the Corner Connectors (F). Make sure all snap buttons are in place. Then put on all the Triangle Slabs (L). See the following figure.



Step 8: Put up the Nettings (K) on the Beam Tubes (C). Pound all the Ground Spikes (O) on the ground. See the following figure.





GAZEBO

8' X 8'

YJSG-003G

CARE AND MAINTENANCE:

- Wash with mild soap and water solution using a sponge
- Rinse with clean water
- Dry thoroughly
- Treat frame with liquid wax for maximum protection against UV light and sally
- When not in use clean and store in a dry place



DO NOT RETURN TO RETAILER

IF YOU HAVE ANY QUESTIONS OR CONCERNS
PLEASE VISIT OUR WEBSITE AT :

www.yotrioint.com

OR TOLL FREE AT:

1-866-905-4107

MONDAY-FRIDAY 9:00 AM TO 5:00 PM EST

YOTRIO CUSTOMER CARE

* LIMITED WARRANTY:

YOTRIO, Orinda, CA, extends a 1 year, limited warranty to the original owner as a sign of our dedication to the highest possible quality standards. The warranty is designed to cover the furniture under normal residential use. This warranty is non-transferable and void if the furniture is used in a non-residential environment and/or has been abused. The warranty also becomes void in the event the furniture has been damaged by acts of God, calamity or misuse. The extent of the warranty covers only structural defects to the frame. This warranty does not apply to cushions, strapping, tile, glass or fabrics. If furniture is disclosed to the Company's satisfaction to be defective during the warranty period, the Company will repair or replace it at its discretion. This service will be performed at the service center in Woodbridge, ON, Canada.

All shipping, delivery and packaging costs are the sole responsibility of the owner of the furniture. To make a claim under this warranty, please contact YOTRIO at www.yotrioint.com or at 1 866 905 4170 between the hours of 9:00 am to 5:00 pm, EST Monday through Friday. All claims for this service must be in writing and accompanied by photographs and proof of purchase.